

OEM Bluetooth-Serial Module, Parani™ ESD100V2



Features

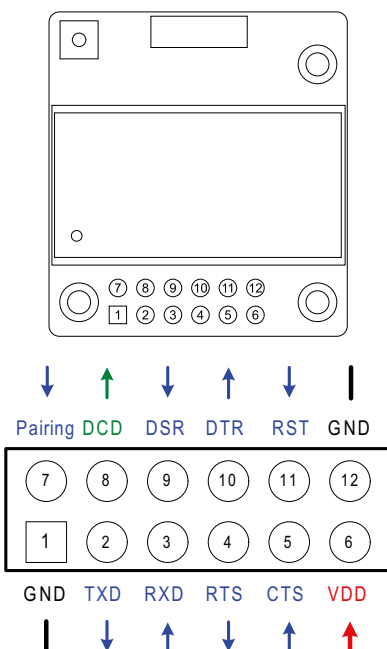
- Output Interface UART, Bluetooth Specification v2.0+EDR
- Transmit Power - Max. 18dBm
- Receiving Sensitivity: -90dBm(0.1%BER)
- Compact size - 27.5 x 30.0 x 14.0 (mm)
1.08 x 1.18 x 0.55 (in)
- Provides transparent RS232 serial cable replacement.
- Supports up to 4 multiple simultaneous connections.
- Profile: Bluetooth Serial Port Profile.
- Interoperability with PDA, laptops etc.
- on-board chip antenna
- Firmware upgrade via windows-based software (ParaniUpdater)
- Working distance (In an open field): Nom. 100 meters
- Easy to use Windows configuration tool available.
- No external drivers required.

The Parani-ESD100V2 is a Bluetooth v2.0+EDR Class1 type Embedded Bluetooth serial module for RS232 cable replacement. The Parani-ESD100V2 is a compact size Bluetooth serial module with built-in chip antenna. It supports 100 meter of wireless transmit distance. The Parani-ESD100V2 also supports up to 4 multiple simultaneous connections.

Typical application areas of the Parani-ESD100V2 include:

- RS232 cable replacement
- Wireless Factory monitoring
- Truck/Bus monitoring system
- PLC programming
- Car Diagnostics
- Wireless Printing
- Wireless POS system
- Wireless logistics
- Wireless machine(healthcare/industrial) monitoring

Pin Assignment



Specifications

Serial Interface

- UART interface, 2.54mm Pin Header 2X6 (12pin)
- Serial UART speed up to 921.6kbps
- CTS/RTS flow control, DTR/DSR for loop-back & full transfer

Bluetooth

- Bluetooth v2.0 + EDR Class1
- Level - 18 dBm
- Profile: Serial Port Profile
- Working distance: Nominal 100m

Max. Tx power

- 18 dBm

Receive Sensitivity

- -90 dBm

Configuration

- ParaniWIN, ParaniWizard, Modem AT command set

Firmware upgrade

- by ParaniUpdater

Power

- Supply voltage: 3.3V DC
- Supply current:10mA – 60mA

Environmental

- Operating temperature: -30°C to 80°C
- Storage temperature: -40°C to 85°C
- Humidity: 90% Non-condensing

Physical properties

- Dimension:
 27.5 mm L (1.08 in)
 30.0 mm W (1.18 in)
 14.0 mm H (0.55 in)
- Weight: 6g

Regulatory Approvals

- FCC, CE, TELEC, KCC, SIG

SIG QDID

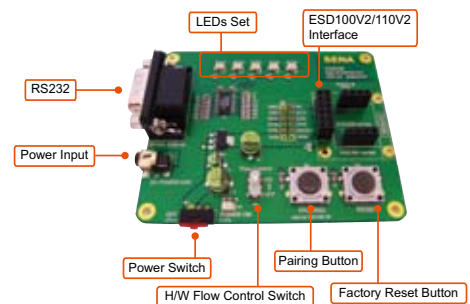
- B015896

Warranty

- 1-year Limited Warranty

Parani-ESD100V2 Starter Kit

Parani-ESD100V2 Starter Kit includes the development board with the sample circuitry for Parani-ESD100V2 interface, power, RS232 Interface, Reset, LEDs, Pairing, H/W flow control for user device development.



Ordering Information

| Part number | Description/Package Contents |
|----------------------|--|
| ESD100V2-01 | Parani-ESD100V2 OEM Bluetooth-Serial Module-Class 1 Bluetooth v2.0+EDR with built-in chip antenna Package contents: - Parani-ESD100V2 Module (on-board chip antenna) |
| ESD100V2SK-01 | Starter Kit for Parani-ESD100V2, ESD100V2 included. Package contents: - Parani-ESD100V2 Module (on-board chip antenna) - Development board - Serial data cable - DC Power Adapter - A hardcopy of Quick Start Guide |

For more information,
 please visit us at <http://www.senaindustrial.com>

Contact us via E-mail

General Information: info@senaindustrial.com
 Sales & Distribution: sales@senaindustrial.com
 Technical Support: support@senaindustrial.com